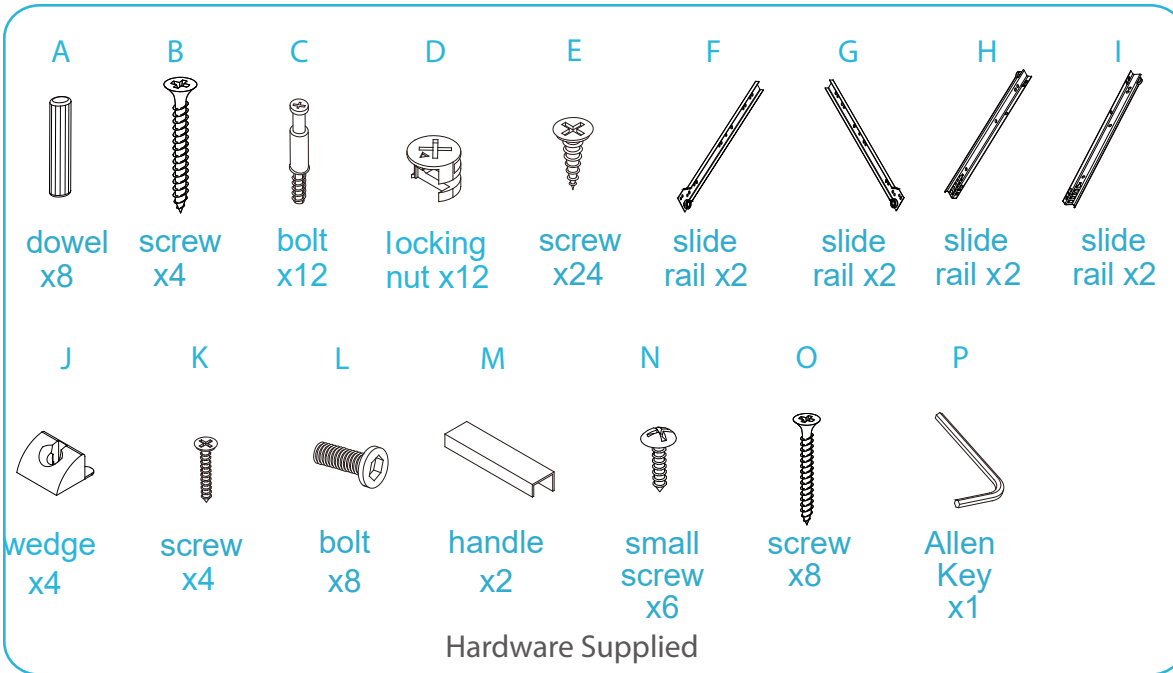


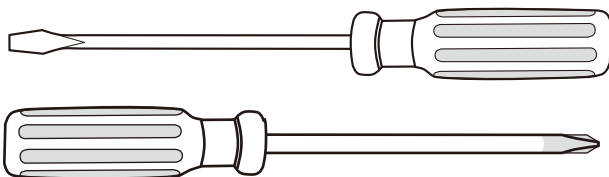
Inca Bedside

Assembly Instructions

Thank you for your purchase. Please follow the instructions for correct assembly. While we took great effort to ensure these assembly instructions were correct at the time of printing, sometimes updates are required post production. For the most up to date versions please refer to the product page on our website. mocka.com.au/mocka.co.nz

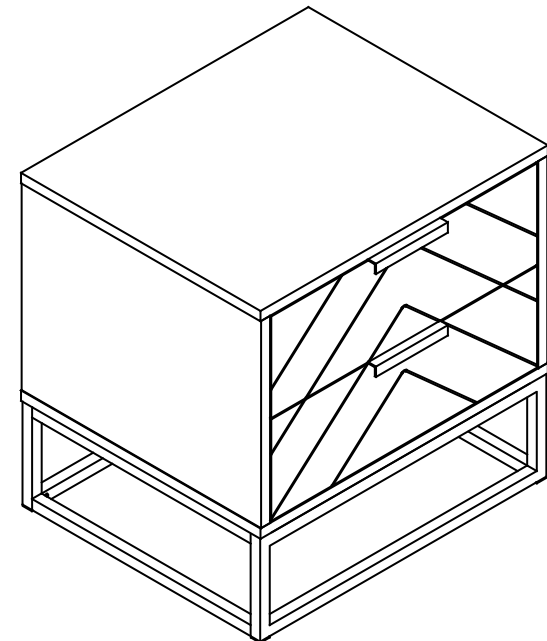
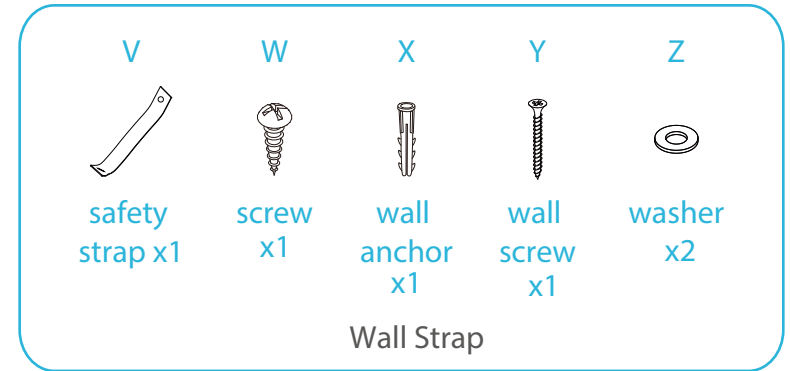


WARNING: Any furniture that is not anchored to a wall has the potential to tip over in certain circumstances, i.e. if a child attempts to climb up on the furniture or in the event of an earthquake. Accordingly, we recommend that all furniture is anchored to a wall. We supply a free safety wall anchor with all furniture sold and we recommend these are used to prevent your product tipping. The fixing device provided should fit most wall types, but please note that different wall materials may require different fixing devices from those supplied.



Phillips & Flathead screwdrivers
For quicker assembly, we recommend the use of a power drill on a low-speed setting.

mocka

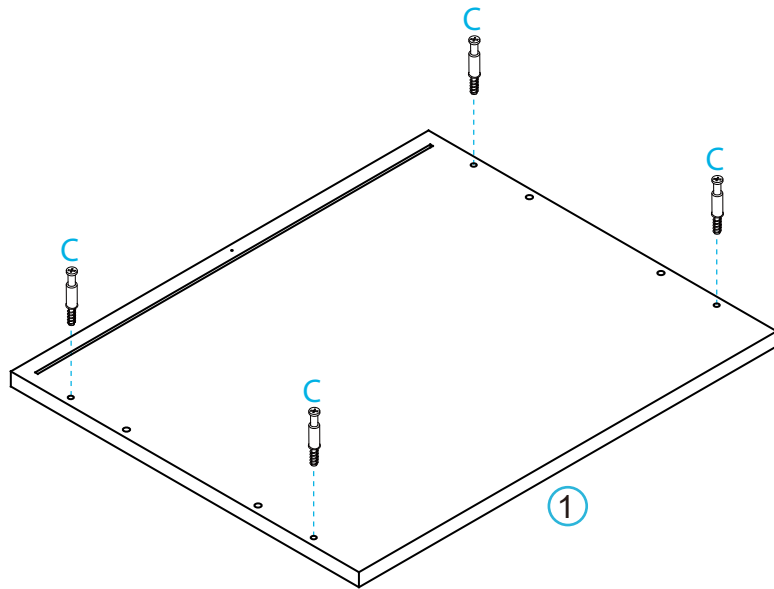


Inca Bedside

Assembly Instructions

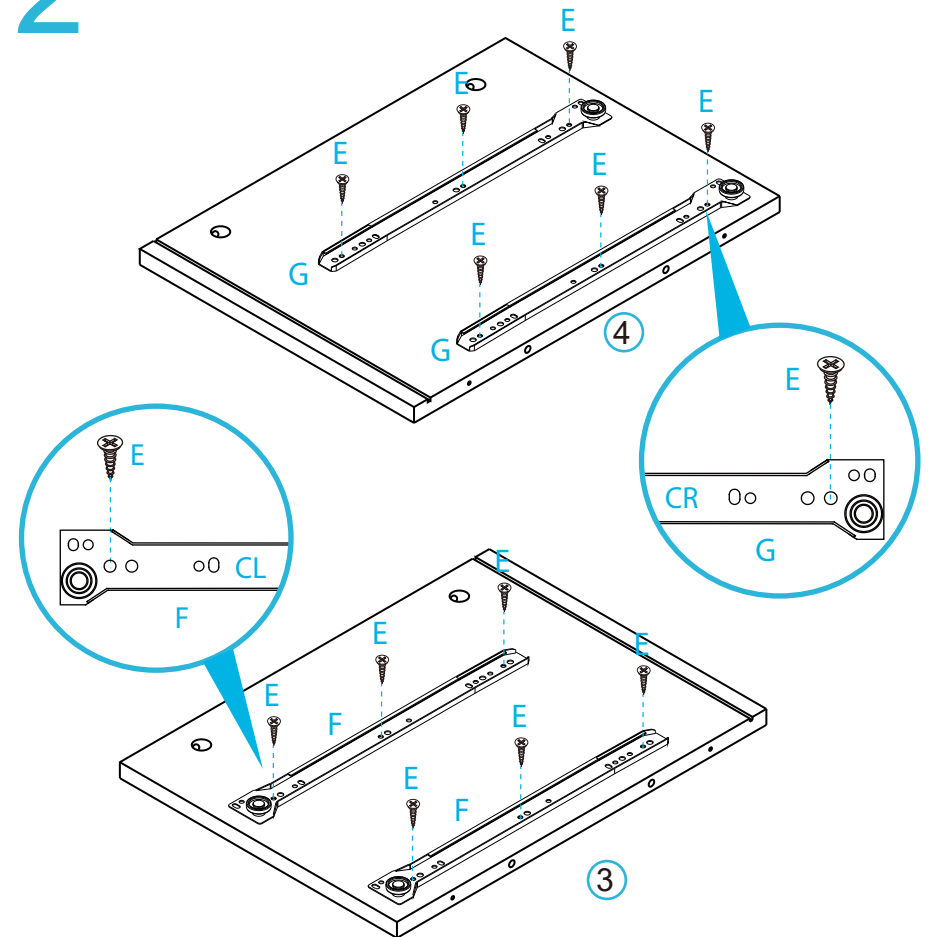
mocka

1



Insert 4x bolts (C) into panel [1] and tighten with a screwdriver.

2

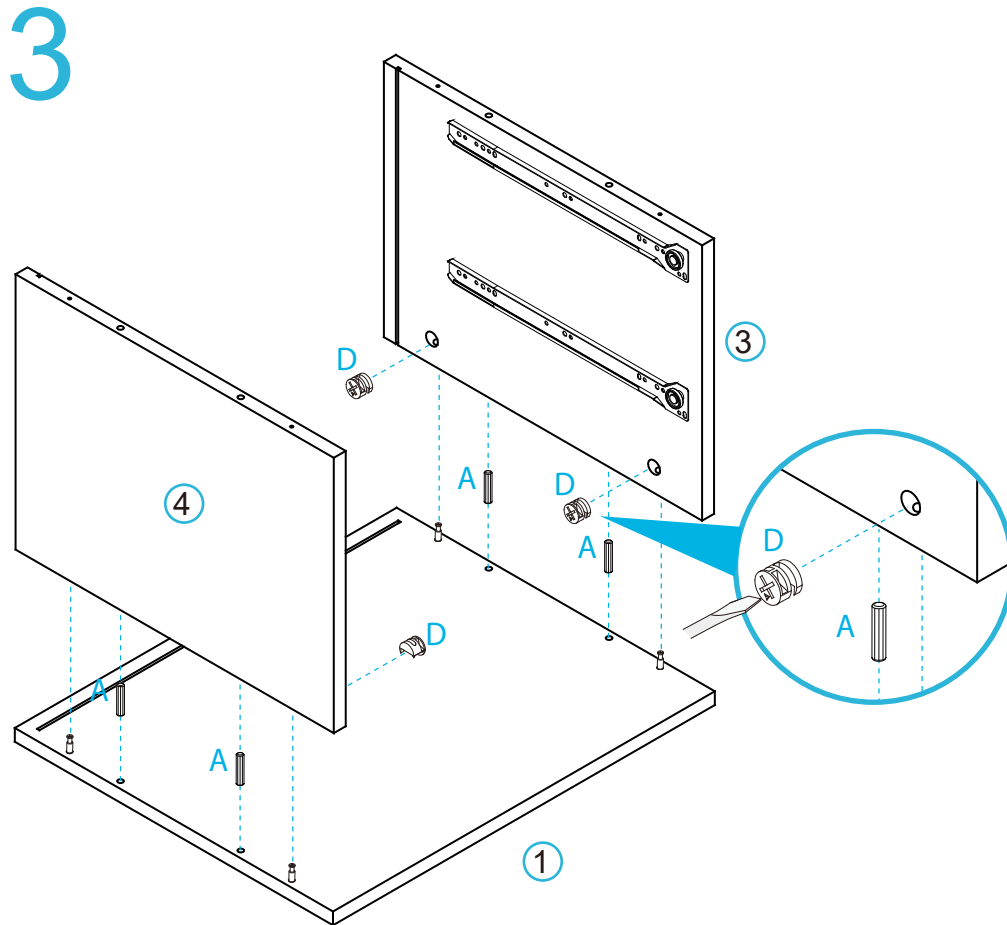


Attach 2x slide rails (F) and 2x slide rails (G) to panels [3] and [4] as shown and secure with 12x screws (E). Tighten with a screwdriver.

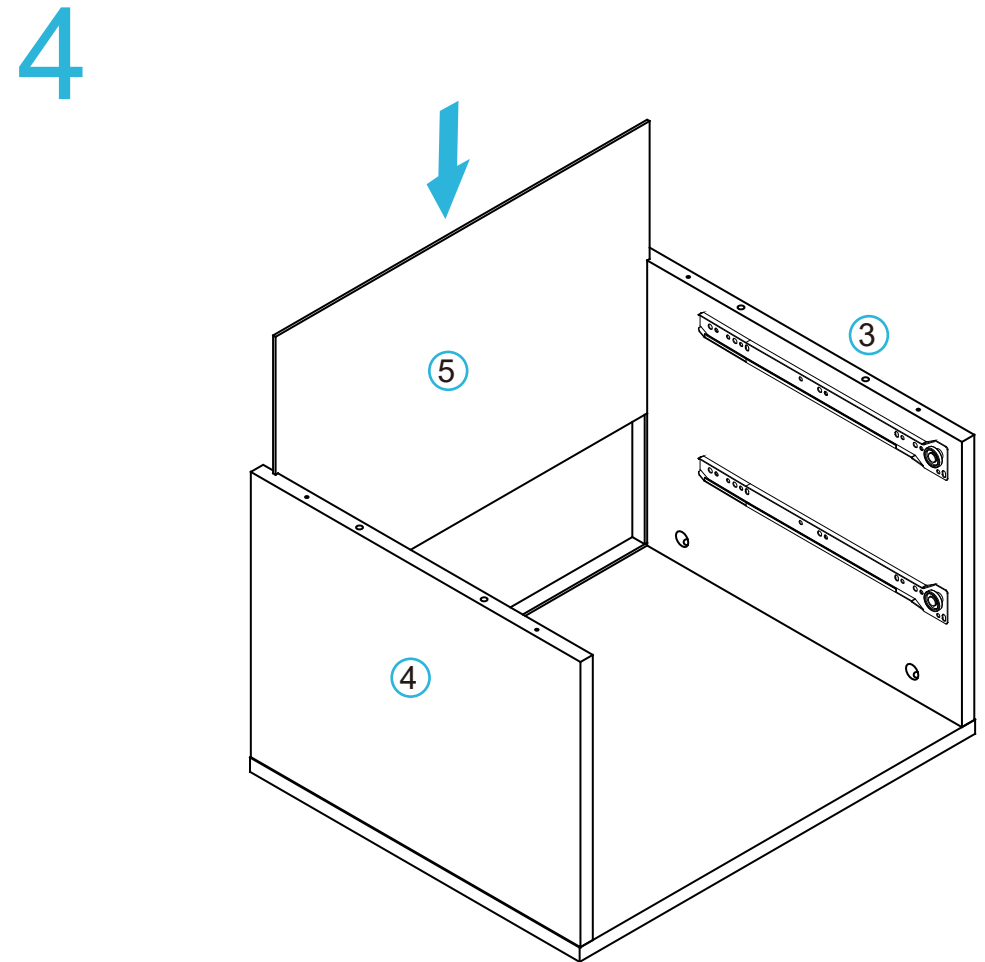
Inca Bedside

Assembly Instructions

mocka



Attach panels [3] and [4] to panel [1] with 4x dowels (A) and secure with 4x locking nuts (D). Tighten with a screwdriver.

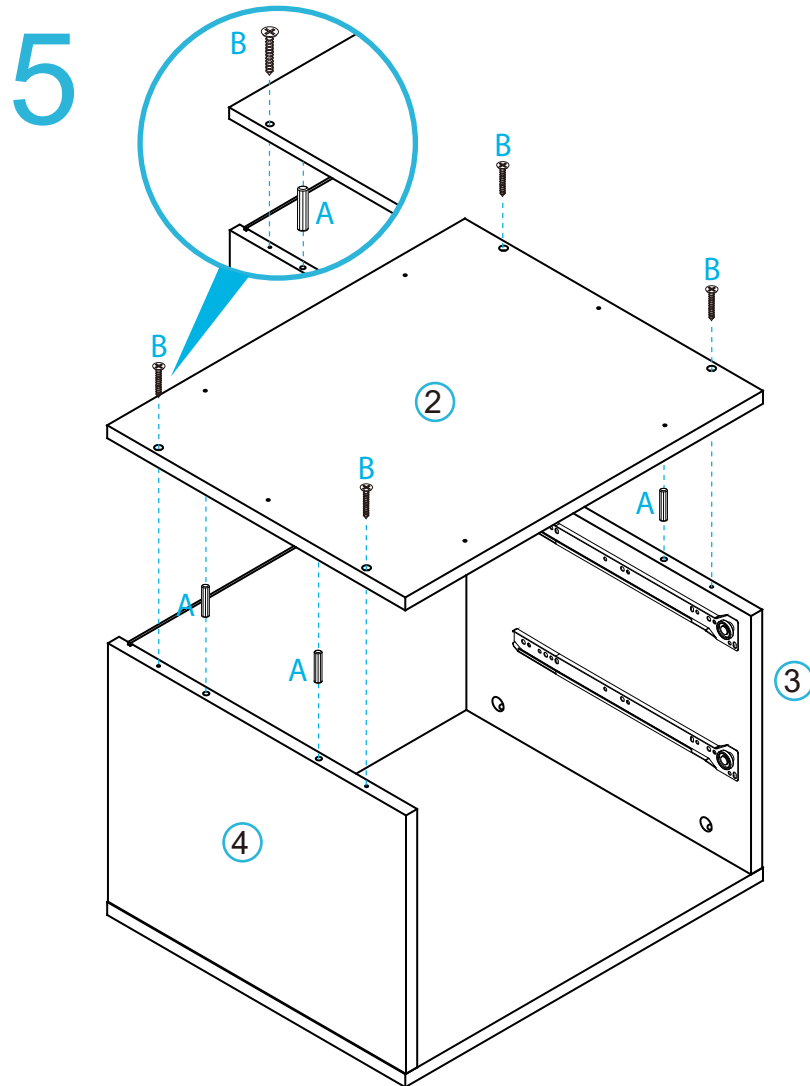


Slide panel [5] down along the grooves between the panels [3] and [4] to form the back of the unit as shown.

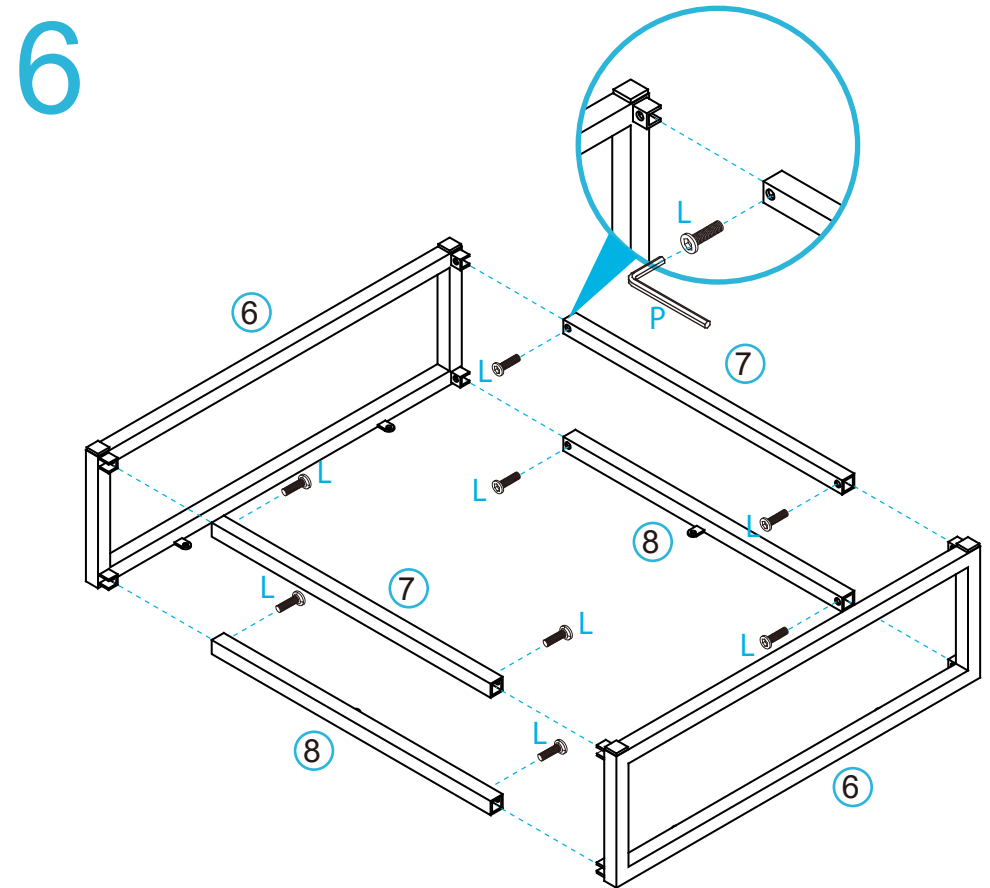
Inca Bedside

Assembly Instructions

mocka



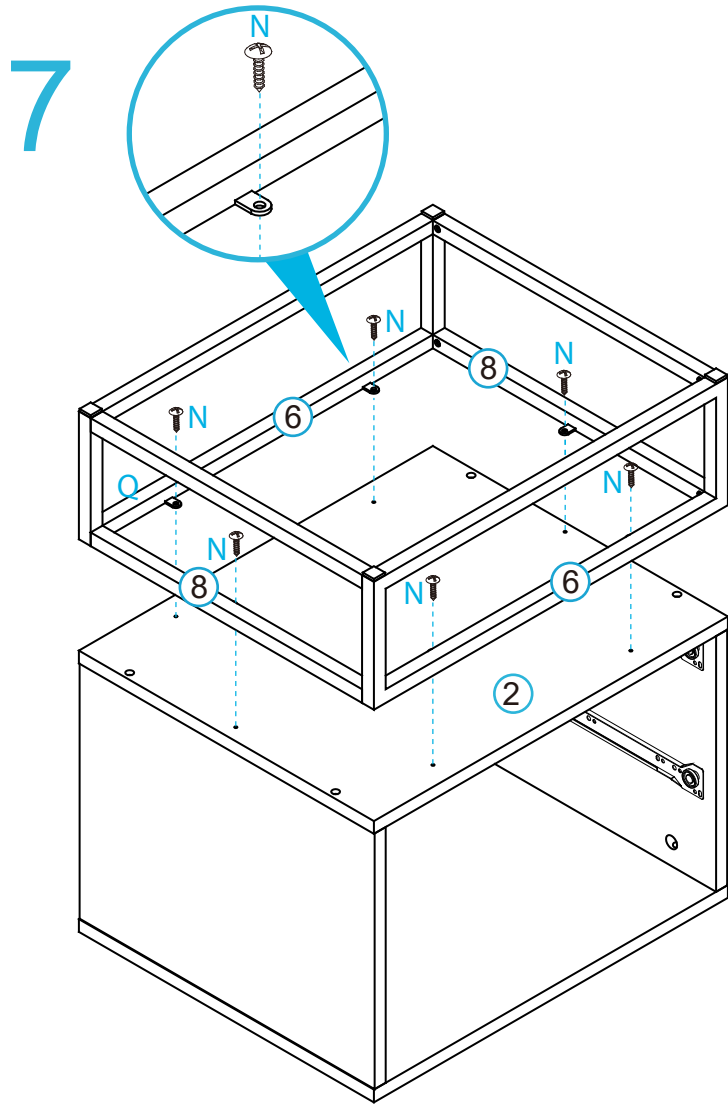
Attach panel [2] to the unit with 4x dowels (A) and secure with 4x screws (B). Tighten with a screwdriver.



Attach panels [6] to panels [7] and panels [8] with 8x bolt (L). Tighten with an Allen Key (P).

Inca Bedside

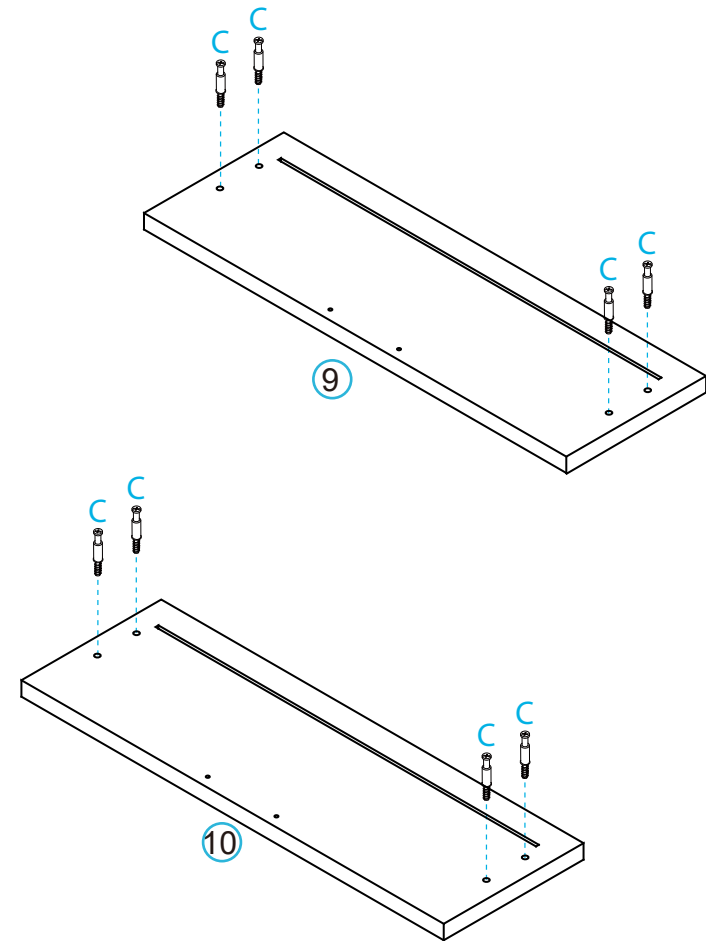
Assembly Instructions



Attach panels [6] to panel [2] with 6x small screw (N). Tighten with a screwdriver.

mocka

8

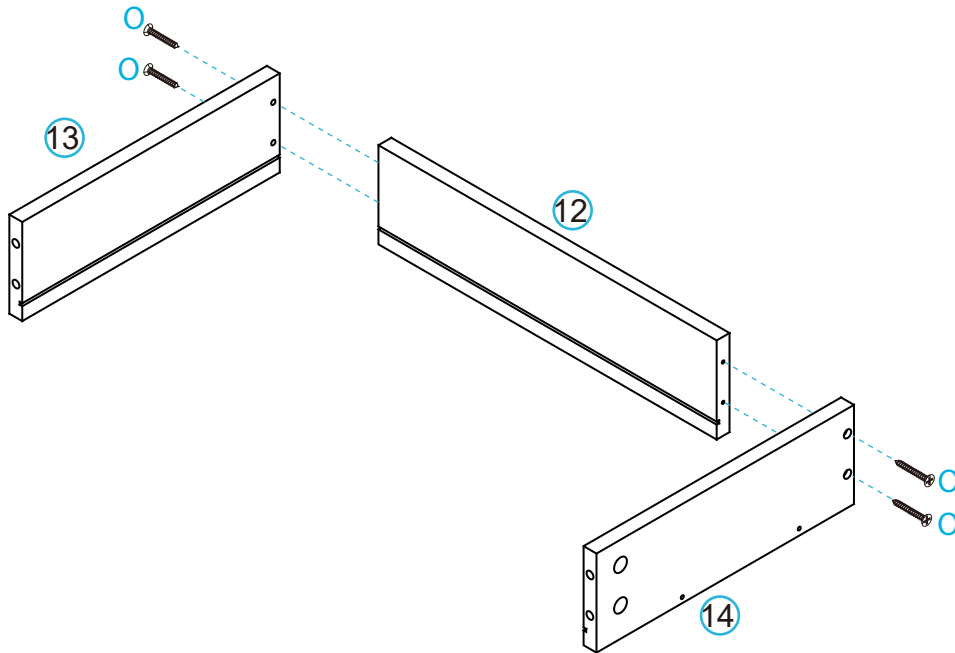


Insert 8x bolts (C) into panels [9]/[10]. Tighten with a screwdriver.

Inca Bedside

Assembly Instructions

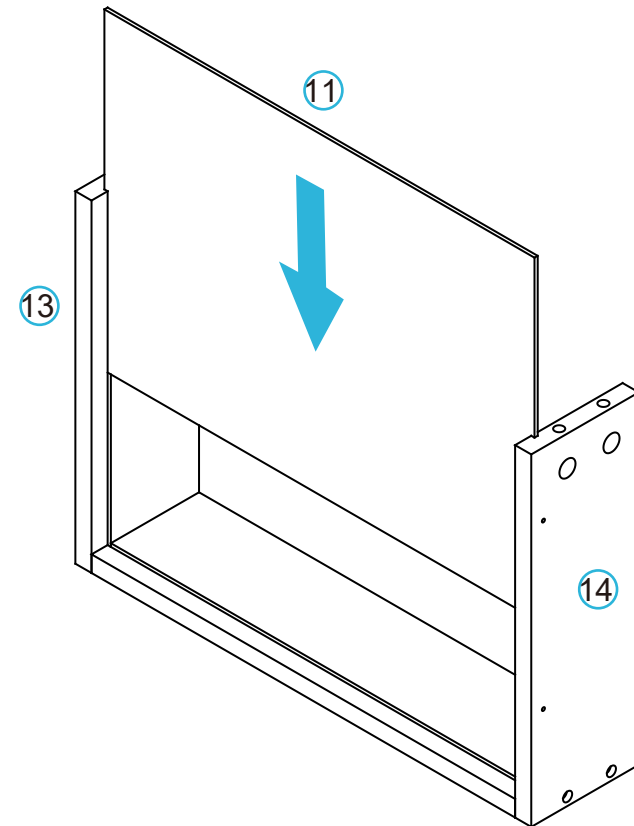
9 Drawers x2



Attach panels [12], [13] and [14] as shown using 8x screws (O).
Tighten with a screwdriver.

mocka

10 Drawers x2



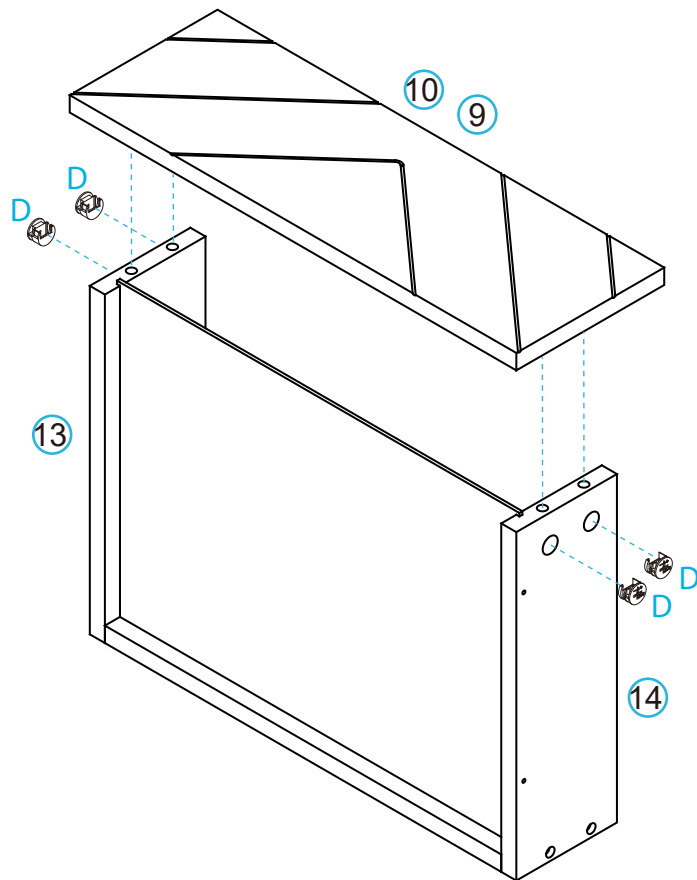
Slide panels [11] along the grooves between the side panels [13] and [14].

Inca Bedside

Assembly Instructions

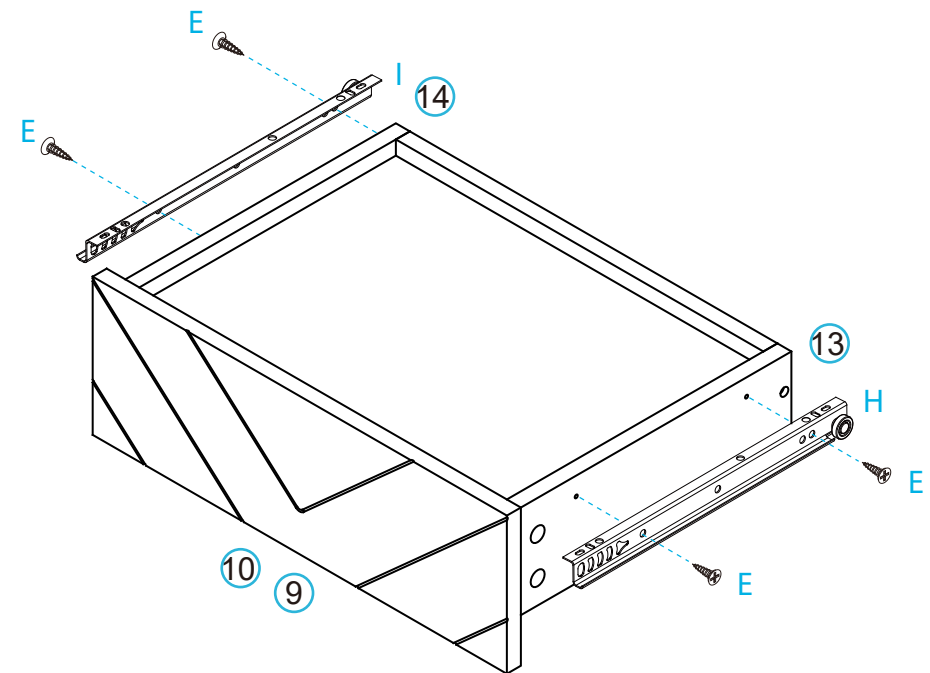
mocka

11 Drawers x2



Attach panels [9]/[10] to panels [13] and [14] secure with 8x locking nuts (D). Tighten with a screwdriver.

12 Drawers x2



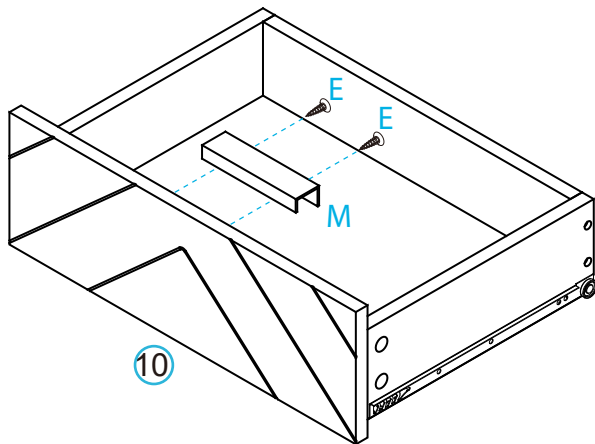
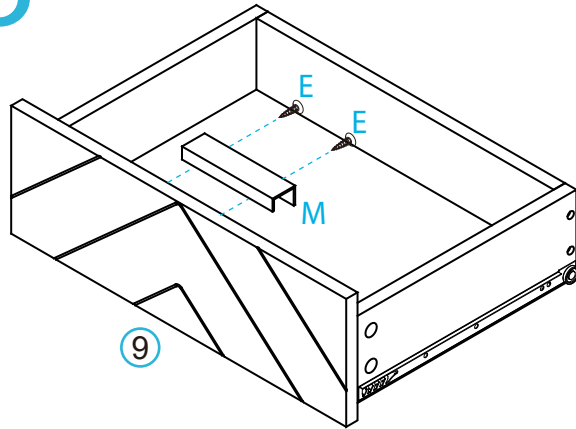
Attach slide rail (I) and slide rail (H) to the underside of the side panels as shown. Secure with 8x screws (E) and tighten with a screwdriver.

Inca Bedside

Assembly Instructions

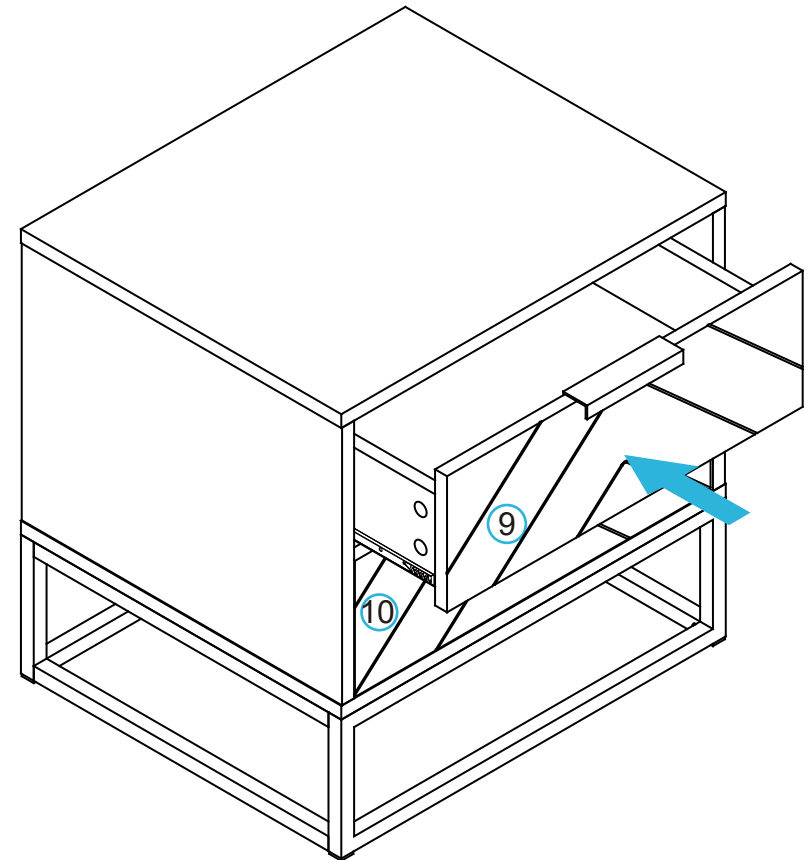
mocka

13



Attach 2x handles (M) to panels [9]/[10] and secure with 4x screws (E). Tighten with a screwdriver.

14



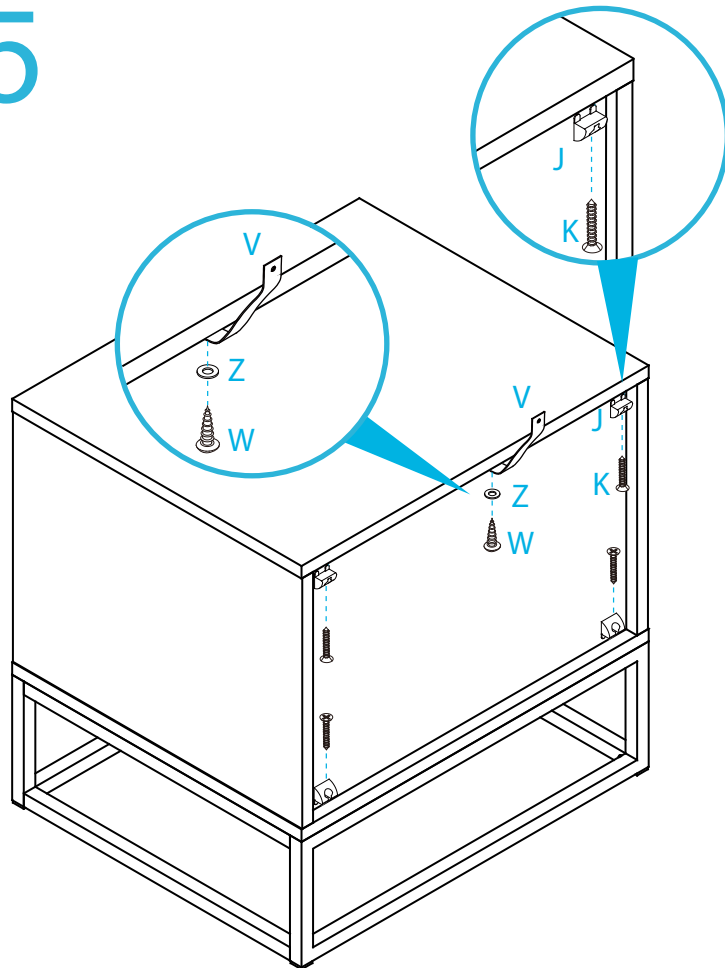
Insert the assembled drawers into the corresponding compartments as shown. Ensure the drawers slide easily along the rails.

Inca Bedside

Assembly Instructions

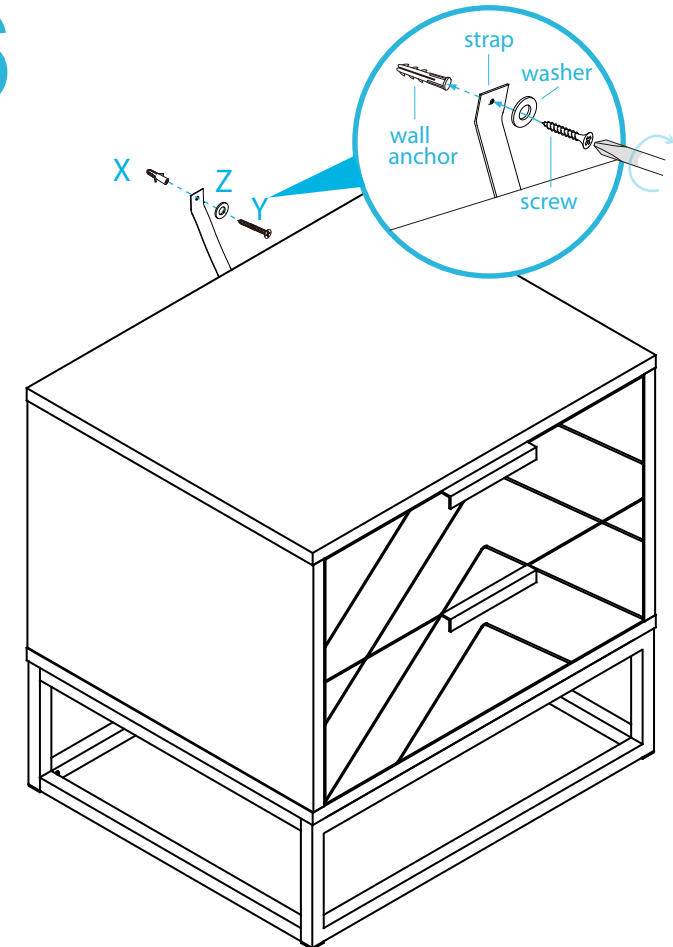
mocka

15



Attach 4x wedges (J) into the corners of the back of the unit and secure with 4x screws (K). Tighten with a screwdriver. Attach 1x safety strap (V) to the top of the back side of the unit as shown using 1x washer (Z) and 1x screw (W). Tighten with a screwdriver.

16



Once assembled lift furniture into place, do not drag. Use a drill to create a small hole lining up with the top of the safety strap (V). Fasten to the wall using 1x washer (Z), 1x wall anchor (X) and 1x wall screw (Y). Ensure unit is balanced and steady before use. You're done, enjoy!